

Product availability: Stock - Normally stocked in distribution facility



Main

| | |
|---------------------------|-------------------------------|
| Range of product | Modicon X80 |
| Product or component type | Discrete input module |
| Discrete input number | 32 |
| Discrete input type | Isolated |
| Input type | Current sink (logic positive) |
| Discrete input voltage | 24 V DC positive |
| Discrete input current | 2.5 MA |

Complementary

| | |
|-----------------------------|--|
| Input compatibility | With 2-wire/3-wire proximity sensors IEC 60947-5-2 With 2-wire/3-wire proximity sensors IEC 61131-2 Type 1 |
| Voltage range | 19...30 V |
| Current state 1 guaranteed | ≥ 2 mA |
| Current state 0 guaranteed | ≤ 0.5 mA |
| Input impedance | 9600 Ohm |
| Insulation resistance | > 10 MOhm 500 V DC |
| Power dissipation in W | 3.9 W |
| DC typical filtering time | 4 Ms |
| DC maximum filtering time | 7 Ms |
| Paralleling of inputs | No |
| Typical current consumption | 121 MA 3.3 V DC |
| MTBF reliability | 696320 H |
| Protection type | 1 external fuse per group of channel 0.5 A fast blow reverse polarity protection |
| Voltage detection threshold | < 14 V DC sensor fault > 18 V DC sensor OK |
| Status LED | Module operating (RUN) 1 LED Green) Channel diagnostic 1 LED per channel Green) Module error (ERR) 1 LED Red) Module I/O 1 LED Red) |
| Net weight | 0.25 Lb(US) (0.112 kg) |

Environment

| | |
|---------------------------------------|--|
| IP degree of protection | IP20 |
| Directives | 2014/35/EU - low voltage directive 2014/30/EU - electromagnetic compatibility |
| Dielectric strength | 1500 V AC 50/60 Hz 1 minute, primary/secondary 500 V DC 1 minute, between group of channels |
| Vibration resistance | 3 gn |
| Shock resistance | 30 gn |
| Ambient air temperature for storage | -40...185 °F (-40...85 °C) |
| Ambient air temperature for operation | 32...140 °F (0...60 °C) |
| Relative humidity | 5...95 % 131 °F (55 °C) without condensation |
| Operating altitude | 0...6561.68 ft (0...2000 m) 2000...5000 m with derating factor |

Ordering and shipping details

| | |
|-----------------------|----------------------|
| Category | 18160 - MODICON M340 |
| Discount Schedule | PC34 |
| GTIN | 03595863910018 |
| Nbr. of units in pkg. | 1 |
| Package weight(Lbs) | 5.45 Oz (154.4 g) |
| Returnability | Yes |
| Country of origin | ID |

Packing Units

| | |
|------------------------|---------------------|
| Unit Type of Package 1 | PCE |
| Package 1 Height | 2.12 In (53.73 mm) |
| Package 1 width | 4.32 In (109.74 mm) |
| Package 1 Length | 4.55 In (115.54 mm) |

Offer Sustainability

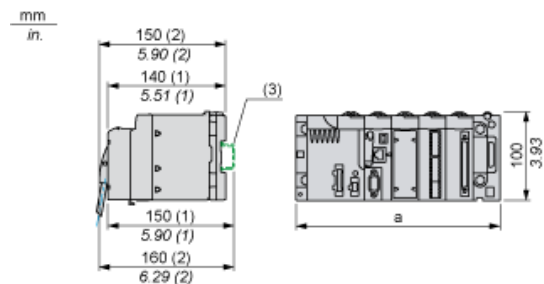
| | |
|----------------------------|---|
| Sustainable offer status | Green Premium product |
| California proposition 65 | WARNING: This product can expose you to chemicals including: Lead and lead compounds, which is known to the State of California to cause cancer and birth defects or other reproductive harm. For more information go to www.P65Warnings.ca.gov |
| REACH Regulation | REACH Declaration |
| REACH free of SVHC | Yes |
| EU RoHS Directive | Pro-active compliance (Product out of EU RoHS legal scope) EU RoHS Declaration |
| Mercury free | Yes |
| RoHS exemption information | Yes |
| China RoHS Regulation | China RoHS Declaration |
| Environmental Disclosure | Product Environmental Profile |
| Circularity Profile | End Of Life Information |
| WEEE | The product must be disposed on European Union markets following specific waste collection and never end up in rubbish bins. |

Contractual warranty

| | |
|----------|-----------|
| Warranty | 18 months |
|----------|-----------|

Modules Mounted on Racks

Dimensions

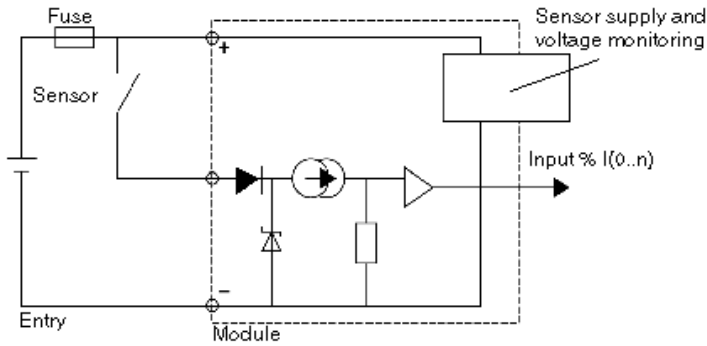


- (1) With removable terminal block (cage, screw or spring).
- (2) With FCN connector.
- (3) On AM1 ED rail: 35 mm wide, 15 mm deep. Only possible with BMXXBP0400/0400H/0600/0600H/0800/0800H rack.

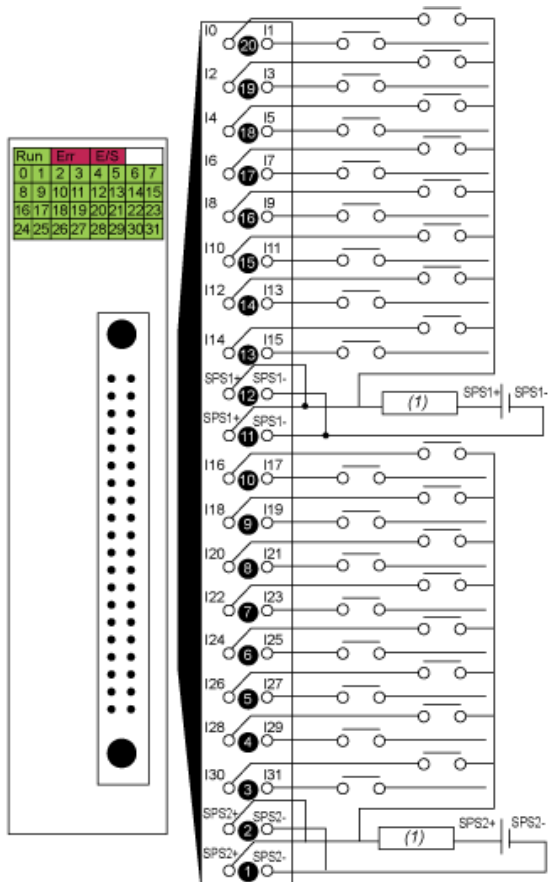
| Rack references | a in mm | a in in. |
|----------------------------|---------|----------|
| BMXXBP0400 and BMXXBP0400H | 242.4 | 09.54 |
| BMXXBP0600 and BMXXBP0600H | 307.6 | 12.11 |
| BMXXBP0800 and BMXXBP0800H | 372.8 | 14.68 |
| BMXXBP1200 and BMXXBP1200H | 503.2 | 19.81 |

Connecting the Module

Input Circuit Diagram



Module Connection



(1) fuse: fast blow fuse of 0.5 A for each 16-channel group
 power supply
 SPS sensor power supply

Product Life Status : **Commercialised**